

SPLICE/VALVE BOX FC1730

Applications:

Sidewalk, driveway and parking lot areas for telephony, power, CATV, DOT, water utility and other applications.

Features & Benefits:

- ◆ Lightweight and high-strength FRP and Polymer Concrete provide long life and quick and easy installation.
- ◆ Full line of configurations are available from stock to meet your load and depth requirements.
- ◆ Non-metallic, non-conductive materials eliminate grounding requirements.
- ◆ Sunlight resistant for long life over a wide range of temperature extremes.
- ◆ Excellent resistance to fertilizers and other chemicals.
- ◆ Larger "clear" opening maximizes work area, perfect for large valve applications.
- ◆ Interlock for concrete sidewalk retention and/or lift handle prevents tilting or frost heaving.

Options:

- ◆ EMS marker for quick and easy identification.
- ◆ OEM labeling (cast-in identification).
- ◆ Cable racks, strut inserts, and terminators.
- ◆ Customizing services - knockouts, bolt and conduit holes.

Ordering Information:

Specify part numbers listed in the table below. Special configurations available. Consult factory for more information.

Pallet Quantity: 10

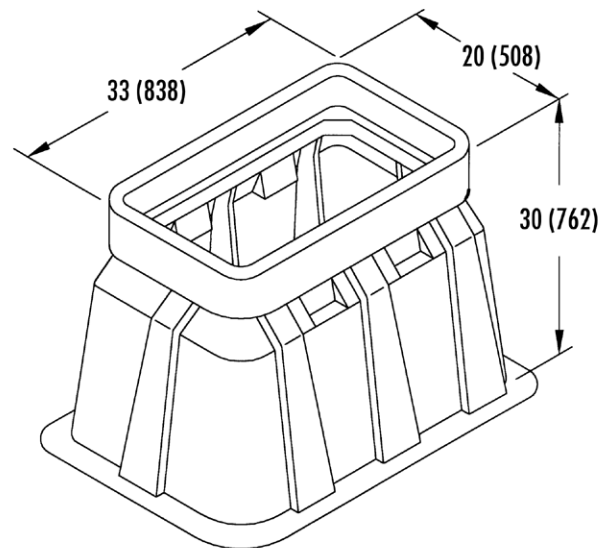
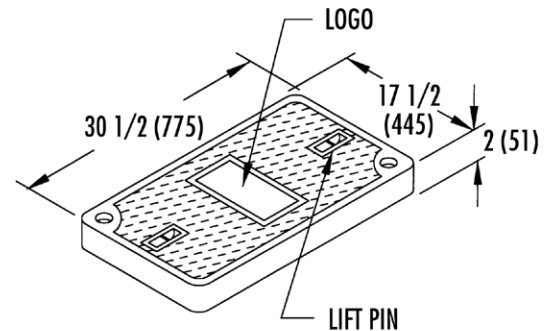
Part No.	Description	Material	Weight
FCB173012A04	Box, 12", Straight - 20K*	FRP	35 (16)
FCB173022B02	Box, 22", Straight - 10K*	FRP	66 (30)
FCB173022A04	Box, 22", Straight - 20K*	FRP	66 (30)
FCB173024A02	Box, 24", Straight - 10K*	FRP	85 (39)
FCB173026E04	Box, 26", Straight - 20K	FRP	90 (41)
FCB173030E04	Box, 30", Straight - 20K	FRP	100 (45)
CMC173000A02	Cover, 2 bolt - CM - 10K	CM	50 (23)
CMC173000A04	Cover, 2 bolt - CM - 20K	CM	50 (23)
STC173000A04	Cover, 2 bolt - 20K	Steel**	74 (34)

* not shown

** See STEEL COVER OPTIONS (page 45).

Sidewalk Application **SW**
Driveway/Parking Lot Application **DP**
Load: See table below

Stainless steel hex head bolts are standard on bolt down covers. Boltless covers are also available. Consult factory.



Dimensions: Inches (mm)
Weight: lbs (kg)