

Sidewalk Application **SW**
Load: Static, 10,000 lbs

Applications:

Driveway and parking lot areas for telephony, power, CATV, DOT and other applications.

Features & Benefits:

- ◆ Proven track record of safeguarding fiber-optic cable from the most common installation mishaps.
- ◆ **FiberProTek™** is round, *not square!* Cable naturally coils for easy installation, storage, and maintenance without kinking.
- ◆ Round lid can't fall through opening, prevents damage to cable and equipment.
- ◆ Break-away internal brackets reduce damage caused by back-hoe excavation mishaps (pull-ups and yank-outs).
- ◆ Lightweight and high-strength FRP and Polymer Concrete provide long life and quick and easy installation.
- ◆ Full-Line of configurations are available from stock to meet your load and depth requirements.
- ◆ Non-metallic, non-conductive materials eliminate grounding requirements.
- ◆ Interlock for concrete sidewalk retention and/or lift handle prevents tilting or frost heaving.

Options:

- ◆ EMS marker for quick and easy identification.
- ◆ OEM labeling (cast-in identification).
- ◆ Cable racks, strut inserts, and terminators.
- ◆ Customizing services - knockouts, bolt and conduit holes.

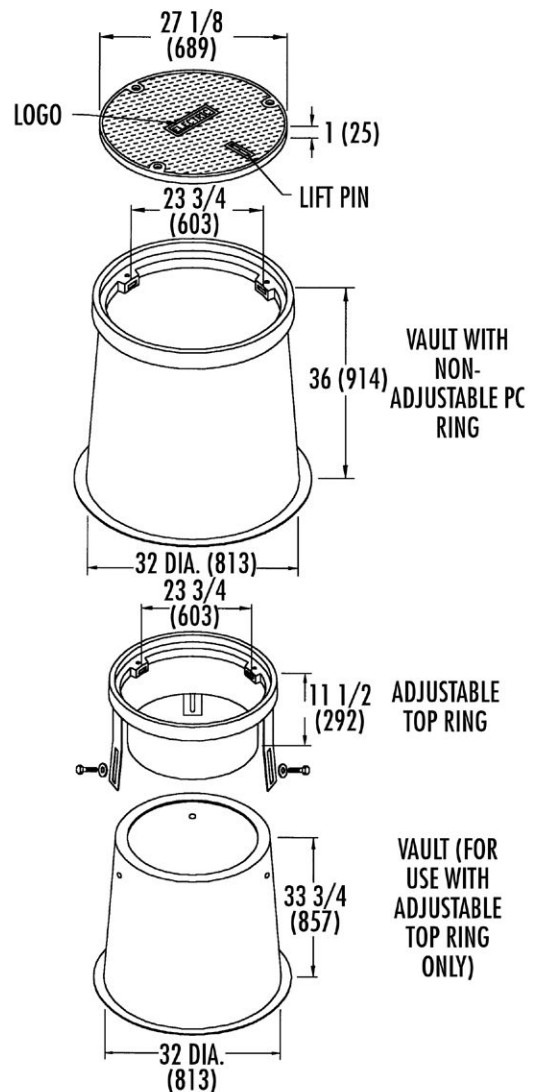
Ordering Information:

Specify part numbers listed in the table below. Special configurations available. Consult factory for more information.

Pallet Quantity: 3

Part No.	Description	Material	Weight
FCV24003602	Vault Assy., 36" - w/ PC Ring - 10K	FRP body/PC ring	96 (44)
FPV24003401	Vault Assy., 36" Body	FRP body/PC ring	98 (45)
FCE24001001	Adjustable Top Ring - 27" dia. - 10K	FRP body/PC ring	25 (11)
PCC24000D02	Cover, 3 bolt - Round - 10K	PC	42 (19)
PCC24000D04	Cover, 3 bolt - Round - 20K	PC	60 (27)

Stainless steel hex head bolts are standard on bolt down covers. Boltless covers are also available. Consult factory.



Dimensions: Inches (mm)
Weight: lbs (kg)