

# SPLICE/VALVE VAULT FC4848

## Applications:

Sidewalk, driveway and parking lot areas for telephony, power, CATV, DOT and other applications.

## Features & Benefits:

- ◆ Break-away internal brackets reduce damage caused by back-hoe excavation mishaps (pull-ups & yank-outs).
- ◆ Lightweight and high-strength FRP provides long life and quick and easy installation.
- ◆ Sunlight resistant for long life over a wide range of temperature extremes.
- ◆ Larger "clear" opening maximizes work area, perfect for large valve applications.
- ◆ Interlock for concrete sidewalk retention and/or lift handle prevents tilting or frost heaving.

## Options:

- ◆ EMS marker for quick and easy identification.
- ◆ OEM labeling (cast-in identification).
- ◆ Cable racks, strut inserts, and terminators.
- ◆ Customizing services - knockouts, bolt and conduit holes.

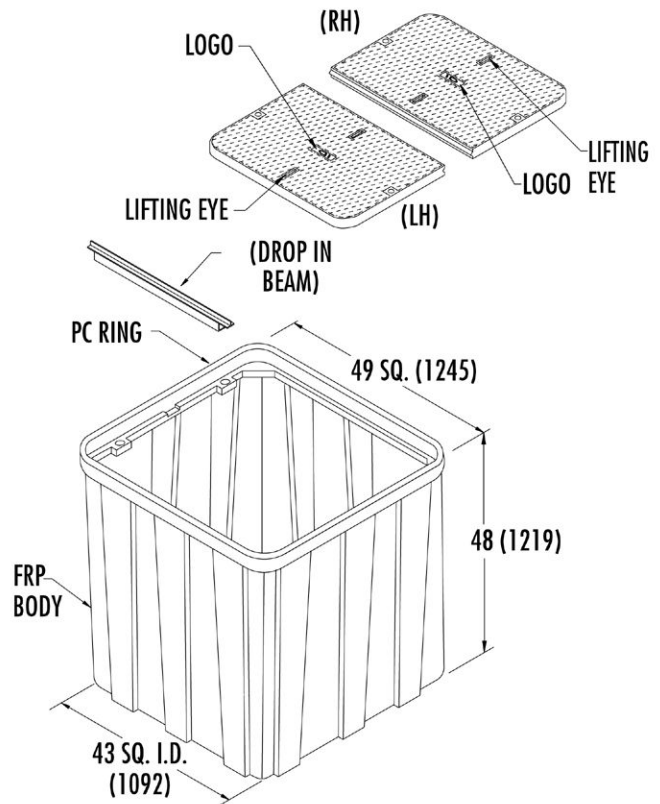
## Ordering Information:

Specify part numbers listed in the table below. Special configurations available. Consult factory for more information.

## Pallet Quantity: 1

Sidewalk Application **SW**  
Driveway/Parking Lot Application **DP**  
Load: See table below

Stainless steel hex head bolts are standard on bolt down covers.  
Boltless covers are also available. Consult factory.



Dimensions: Inches (mm)  
Weight: lbs (kg)

Part No.	Description	Material	Weight
FCB484824F14	Box, 24", Straight, 20K	FRP body/PC ring	270 (123)
FCB484836F14	Box, 36", Straight, 20K	FRP body/PC ring	382 (174)
FCB484848F14	Box, 48", Straight, 20K	FRP body/PC ring	428 (195)
PCC484800A14	Cover, 2 pc. set - 20K	FRP/PC	150 ( 68)

Boxes shown with floor. Also available without floor.