

SPLICE/VALVE BOX

PC1118DP

Applications:

Sidewalk, driveway and parking lot areas for telephony, power, CATV, DOT, water utility and other applications. Turf and irrigation for residential, commercial, golf courses and parks and recreation.

Features & Benefits:

- ◆ Heavy-duty construction increases product life cycle.
- ◆ Replaces concrete - high strength for durability and lightweight for quick and easy installation.
- ◆ Unique stackable wall design allows for grade adjustment after installation.
- ◆ Non-metallic, non-conductive materials eliminate grounding requirements.
- ◆ Excellent resistance from sunlight, fertilizers and other chemicals.
- ◆ Larger "clear" opening maximizes work area, perfect for large valve applications.

Options:

- ◆ EMS marker for quick and easy identification.
- ◆ OEM labeling (cast-in identification).
- ◆ Gaskets, cable racks, strut inserts, and terminators.
- ◆ Customizing services - knockouts, bolt and conduit holes.

Ordering Information:

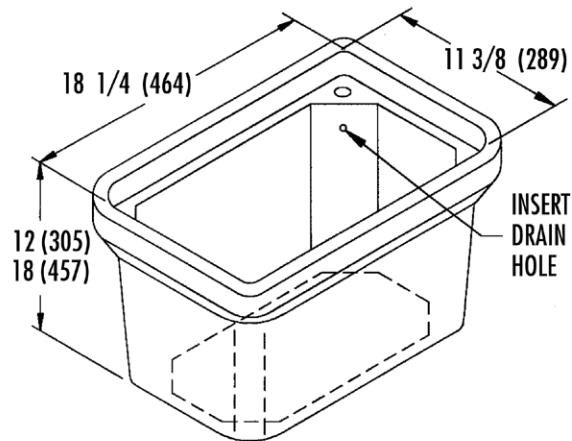
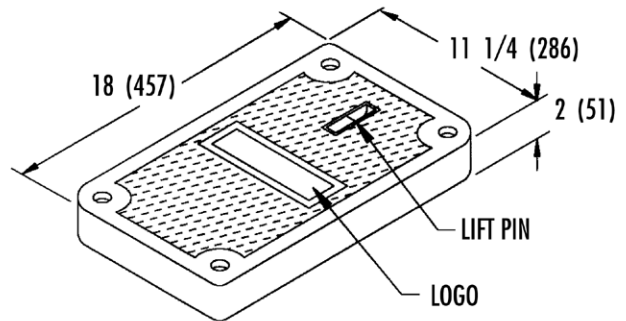
Specify part numbers listed in the table below. Special colors available. Consult factory for more information.

Pallet Quantity: 24

Part No.	Description	Material	Weight
PCB111812A04	Box, 12", w/ no floor	PC	35 (16)
PCB111812A14	Box, 12", w/ floor	PC	45 (20)
PCB111812AN4	Box, 12", NEMA 4 (w/ floor & gasket)	PC	45 (20)
PCB111812A24	Box, 12", w/ mouseholes	PC	34 (15)
PCB111818A04	Box, 18", w/ no floor	PC	47 (21)
PCB111818A14	Box, 18", w/ floor	PC	57 (26)
PCB111818AN4	Box, 18", w/ floor & gasket	PC	57 (26)
PCB111818A24	Box, 18", w/ mouseholes	PC	46 (21)
PCC111800A04	Cover, 2 bolt - 20K	PC	27 (12)
PCC111800B04	Cover, 4 bolt (NEMA 4) - 20K	PC	27 (12)

Sidewalk Application **SW**
 Driveway/Parking Lot Application **DP**
 Load: Static, 20,000 lbs

Stainless steel hex head bolts are standard on bolt down covers. Boltless covers are also available. Consult factory.



Bottom Clear Dimension:

12" Depth: 16 1/2 (419) x 9 1/2 (241)
 18" Depth: 16 3/16 (411) x 9 3/16 (233)

Dimensions: Inches (mm)
 Weight: lbs (kg)