

# SPLICE/VALVE BOX

## PC1118E

**Sidewalk Application**   
Load: Static, 8,000 lbs

### Applications:

Sidewalk areas for telephony, power, CATV, DOT, water utility and other applications. Turf and irrigation for residential, commercial, golf courses and parks and recreation.

### Features & Benefits:

- ◆ Replaces concrete — high strength for durability and lightweight for quick and easy installation.
- ◆ Unique stackable wall design allows for grade adjustment after installation.
- ◆ Non-metallic, non-conductive materials eliminate grounding requirements.
- ◆ Excellent resistance from sunlight, fertilizers and other chemicals.
- ◆ Larger "clear" opening maximizes work area, perfect for large valve applications.

### Options:

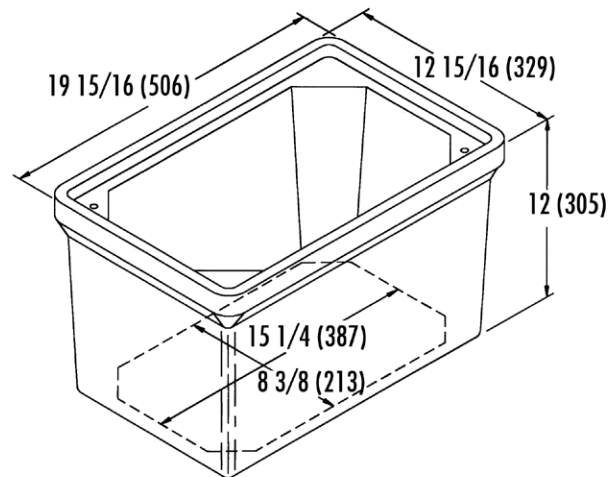
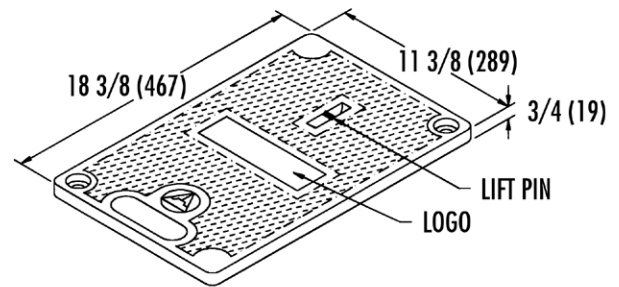
- ◆ EMS marker for quick and easy identification.
- ◆ OEM labeling (cast-in identification).
- ◆ Gaskets, cable racks, strut inserts, and terminators.
- ◆ Customizing services - knockouts, bolt and conduit holes.

### Ordering Information:

Specify part numbers listed in the table below. Special colors available. Consult factory for more information.

**Pallet Quantity:** 24

Stainless steel hex head bolts are standard on bolt down covers. Boltless covers are also available. Consult factory.



Dimensions: Inches (mm)  
Weight: lbs (kg)

Part No.	Description	Material	Weight
PCB111812T02	Box, 12", w/ no floor	PC	30 (14)
PCB111812S02	Box, 12", w/ floor	PC	41 (19)
PCB111812S22	Box, 12", w/ mouseholes	PC	29 (13)
PCC111800T22*	Cover, 2 bolt - 3/4" cover - 8K	PC	13 ( 6)

\*4-bolt and boltless covers also available